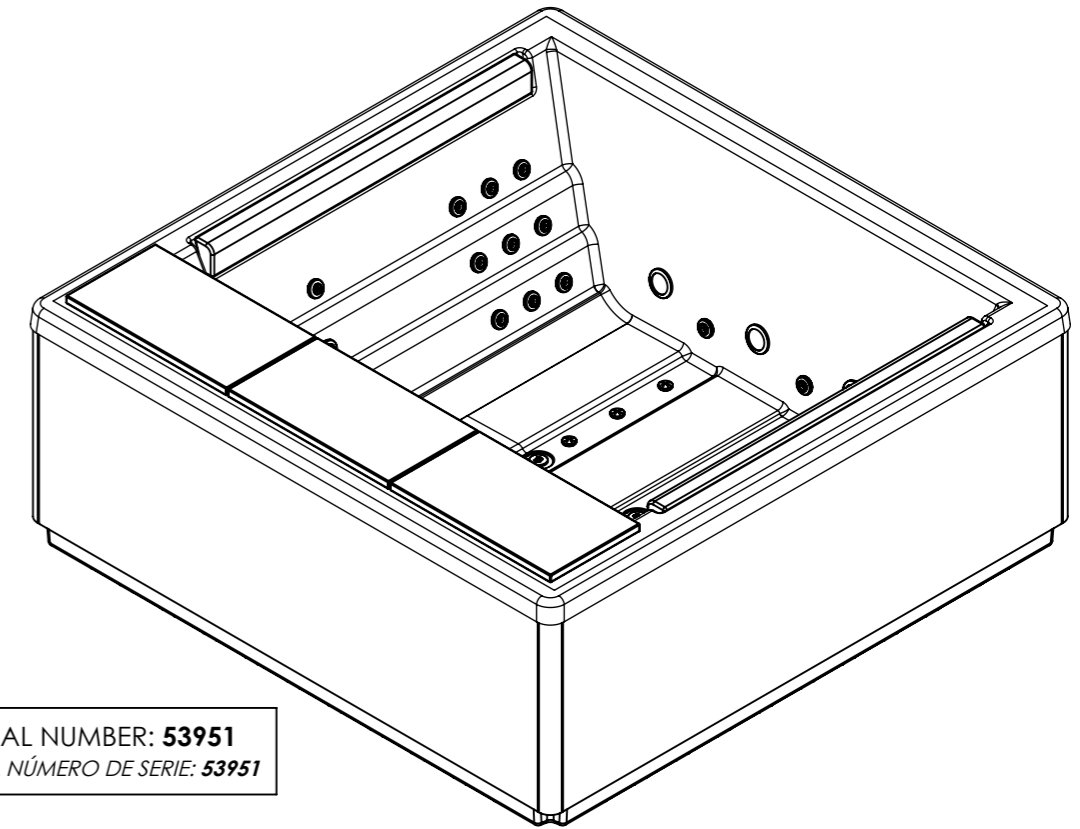
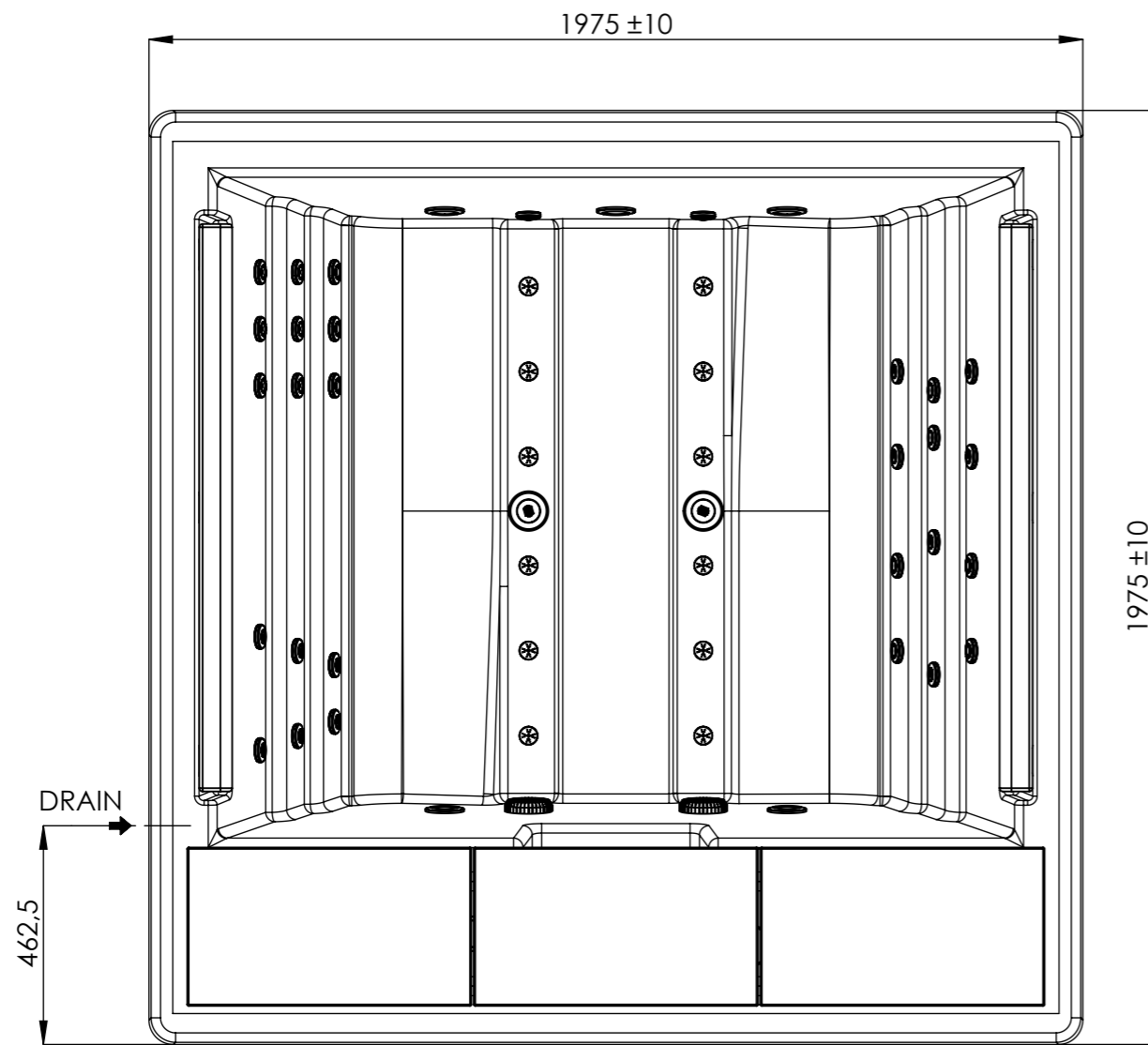
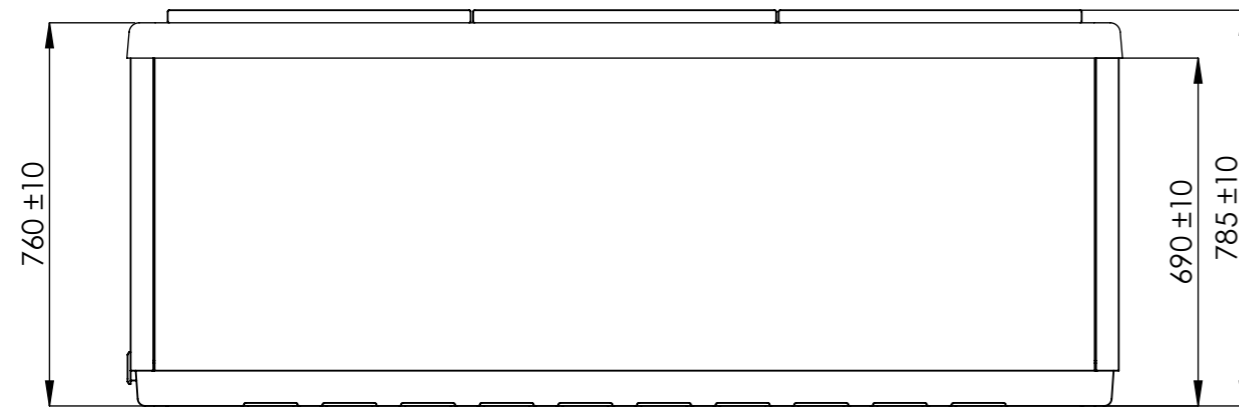


General specifications	
Spa weight (empty)	220 Kg
Spa weight (full)	1.195 Kg

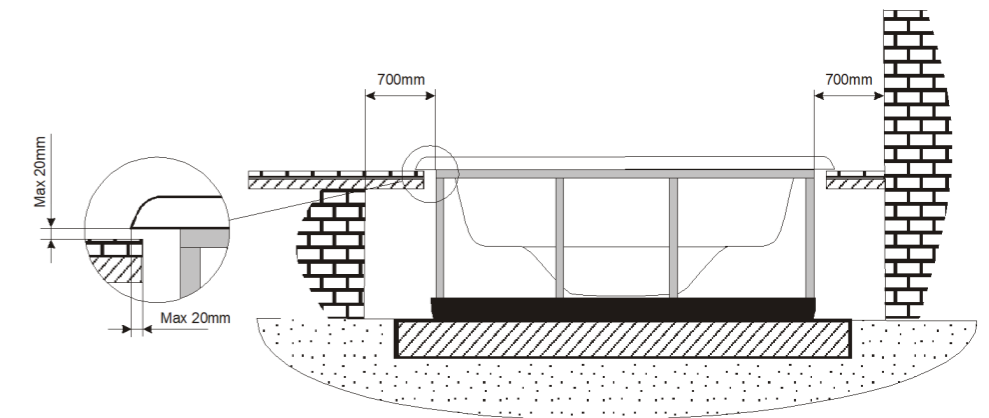


VALID FROM SERIAL NUMBER: **53951**
VALIDO A PARTIR DEL NÚMERO DE SERIE: **53951**

Inground option

WARNING:

It's essential to keep a minimum clearance access of **700mm** all around.
Minimum depth of spa hole **690 mm**.



According to our policy of continuous improvement, dimensions, features or components of this product can be partially or completely changed without prior notice.
It's Customer responsibility to verify that this is the last version of the drawing

07	20/11/2019	ERDS(OF)	New spa bathtub
06	18/12/2018	D.Castillo	Spa weight added.
05	19/09/2018	A.Miquel	Jets (CMP) changed.
04	08/05/2017	ERDS(OF)	Changing of electronic parts references.
03	27/06/2016	I.Pozo	Add blower and add new spare templates
Change No.	Date	Name	Modification

Remarks Dimensions in mm. General Tolerances +/- 10mm			COMMERCIAL			
Drawn	06/05/2013	X.Codina		Part Number 58748	Rev. 07	First Angle Projection
Checked		I.Nicolas				
Scale	1:15	General Tolerance DIN 7168 ISO 2768g				
Sheet	1/3					