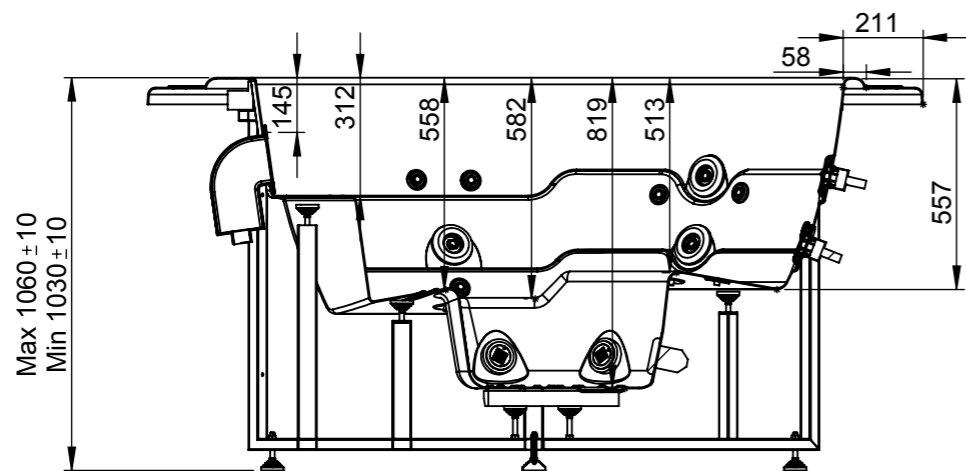
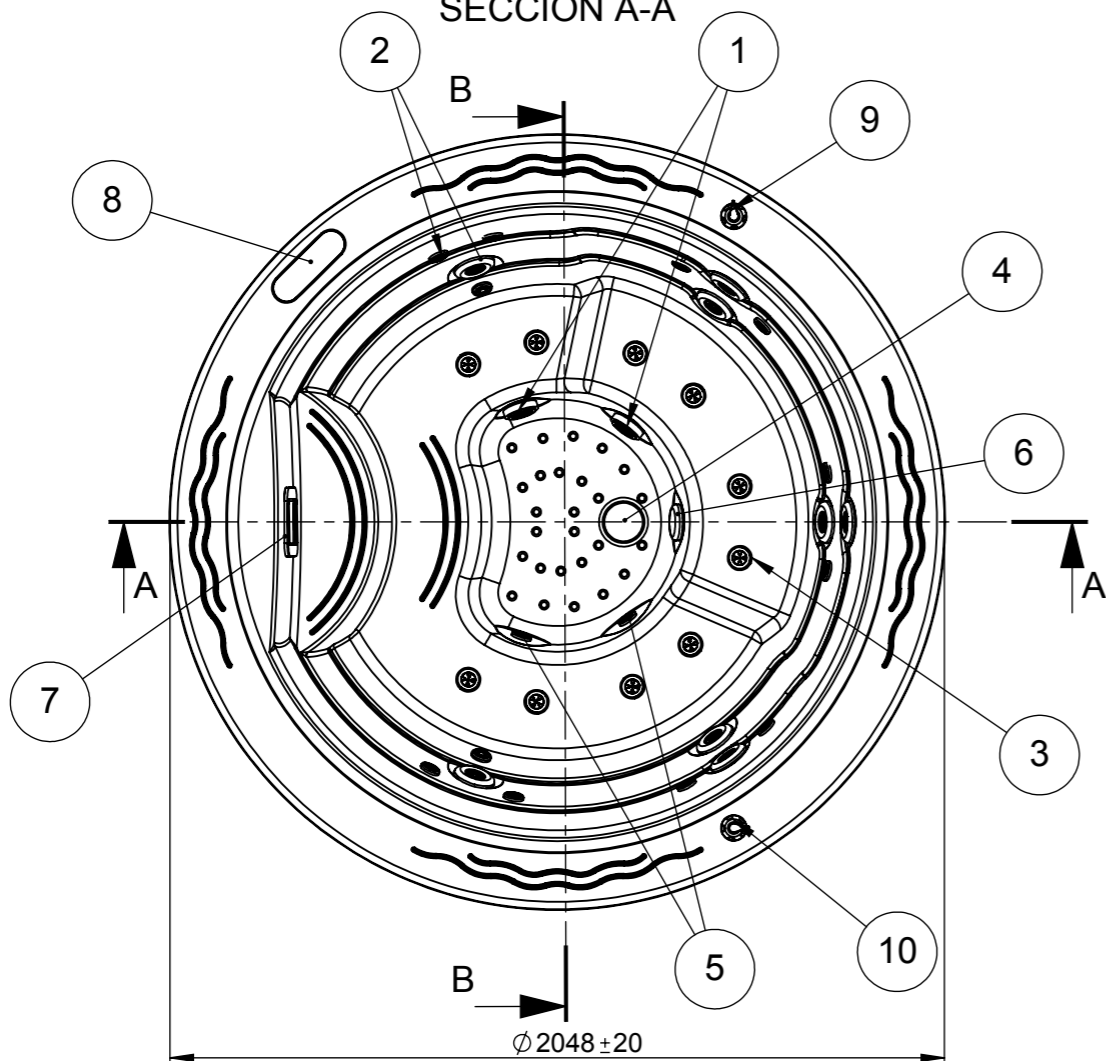


SECCIÓN B-B

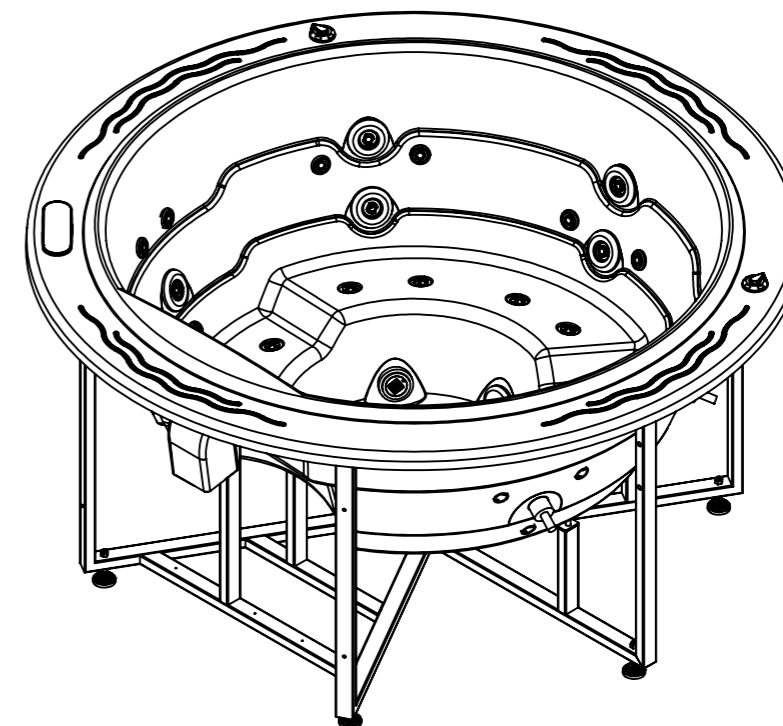


SECCIÓN A-A



49859 SPA ROUND 2

- 1 Suctions-Water Massage Pump 1
- 2 Jets-Water Massage Pump 1
- 3 Air Massage inlets
- 4 Suction Filtration Pump (Bottom Drain)
- 5 Filtration Pump return drains
- 6 Light (Halogen)
- 7 Skimmer
- 8 Panel
- 9 Venturi 1
- 10 Venturi 2



Dimensions in mm.
Cotas en mm.

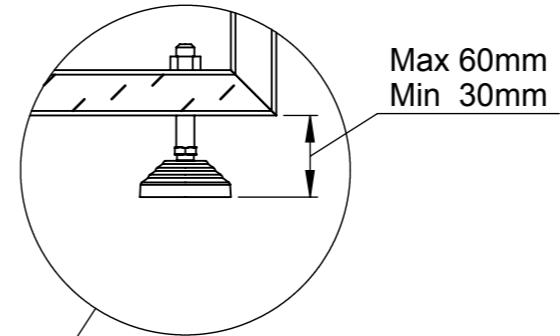
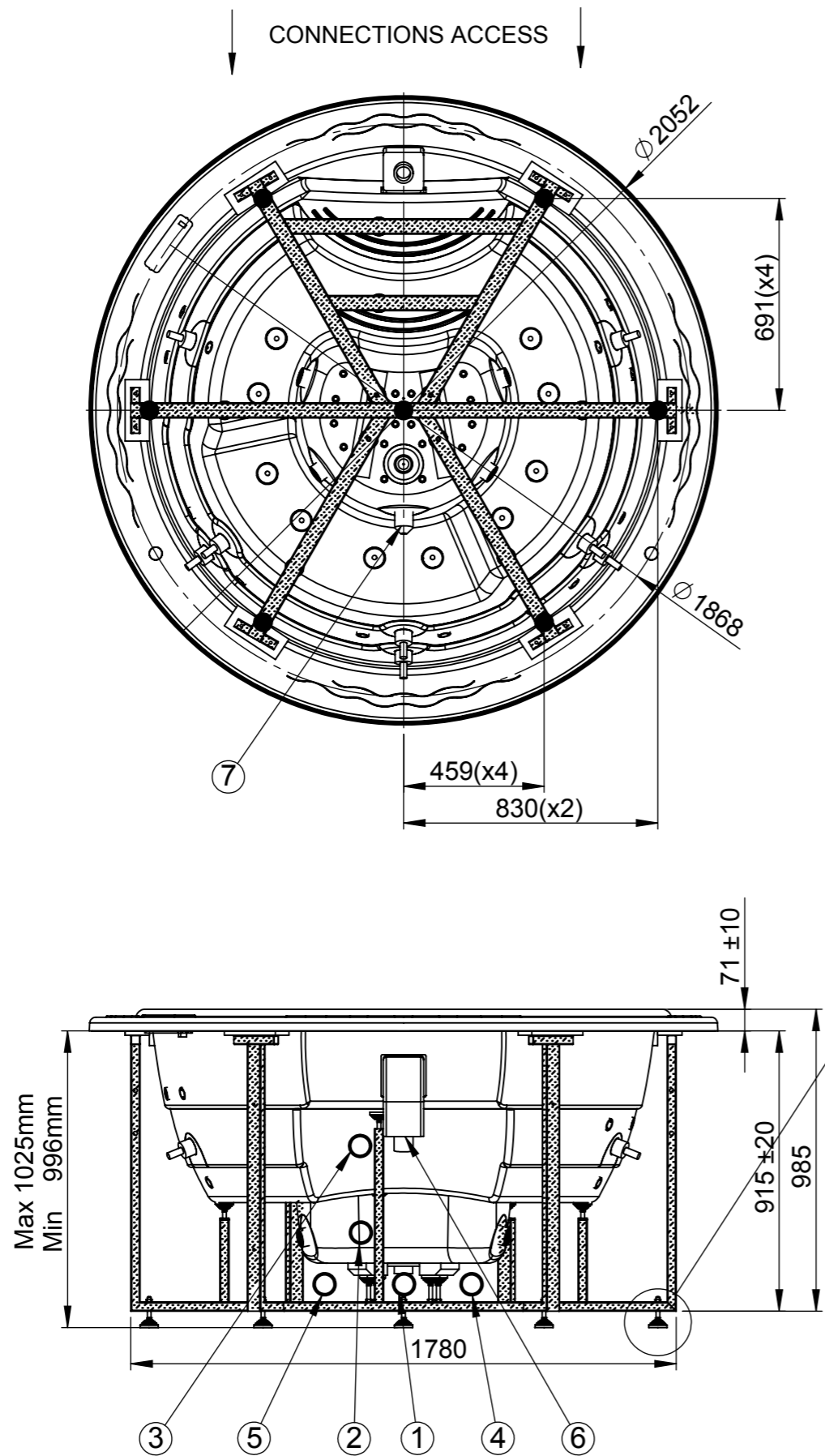
Control Dimensions
Cotas de control

CC/SC Critical or Significant Characteristics
CC/SC Características Críticas o Significativas

00	22/12/09	M.Freixes	Drawing creation		
Change No. Cambio Núm.	Date Fecha	Name Nombre	Modification Modificación		
Remarks Observaciones Odisea 20					
Drawn Dibujado	Date Fecha	Name Nombre	Part Name Nombre	Part Number Número de pieza	Rev No.
Checked Verificado		I.Nicolas	DIMENSIONS		00
Scale Escala	General Tolerance Tolerancias Generales DIN 7168 ISO 2768g		Material	Size Tamaño DIN-A3	Surface Coating Acabado Superficial
1:20			Assembled in spa number Montado en número de spa	Drawing type Tipo de plano Product	Weight Peso (g)
				Surface Hardness Shore A	First Angle Projection

SPA ODISEA 20		49859
1	Suction-Water Massage Pump 1	1xØ2" FT
2	Return-Water Massage Pump 1	1xØ2" FT
3	Return-Air Massage	1xØ2" FT
4	Suction-Filtration Pump (Bottom Drain)	1xØ2" FT
5	Return-Filtration Pump	1xØ2" FT
6	Skimmer	Ø63 mm FS
7	Light (Cromotherapy High Intensity Leds)	1 un.

FT: BSP Female Thread
FS: Female solvent Socket



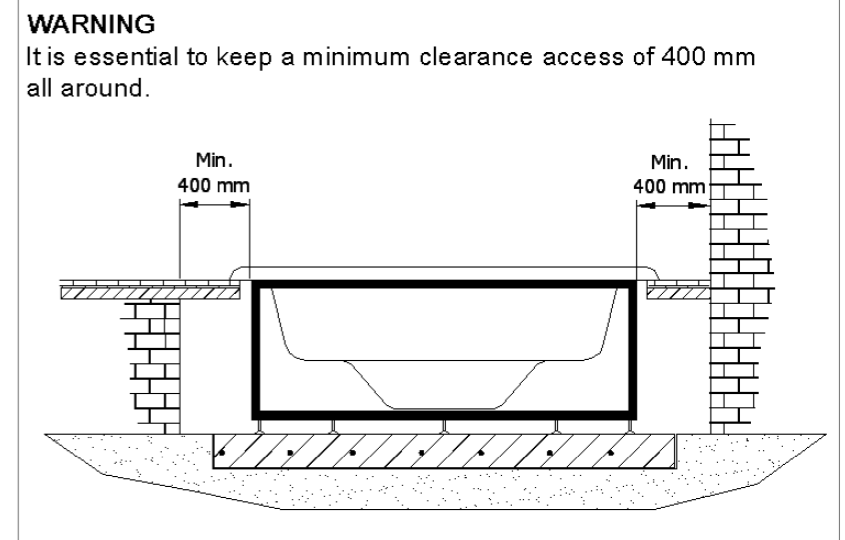
DETALLE A
ESCALA 1 : 5

Dimensions in mm.
Cotas en mm.

Control Dimensions
Cotas de control

CC/SC Critical or Significant Characteristics
CC/SC Características Críticas o Significativas

Minimum depth of the spa hole 980 mm.



00	22/12/09	M.Freixes	Drawing creation				
Change No. Cambio Núm.	Date Fecha	Name Nombre	Modification Modificación				
Remarks Observaciones Odisea 20							
Drawn Dibujado	Date Fecha	Name Nombre	Part Name Nombre	Part Number Número de pieza	Rev No.		
Checked Verificado		I.Nicolas	Installation Drawing	49859	00		
Scale Escala	General Tolerance Tolerancias Generales DIN 7168 ISO 2768g					Material	Surface Coating Acabado Superficial
1:20			Assembled in spa number Montado en número de spa	Drawing type Tipo de plano Product	Weight Peso (g)	Surface Hardness Shore A	First Angle Projection

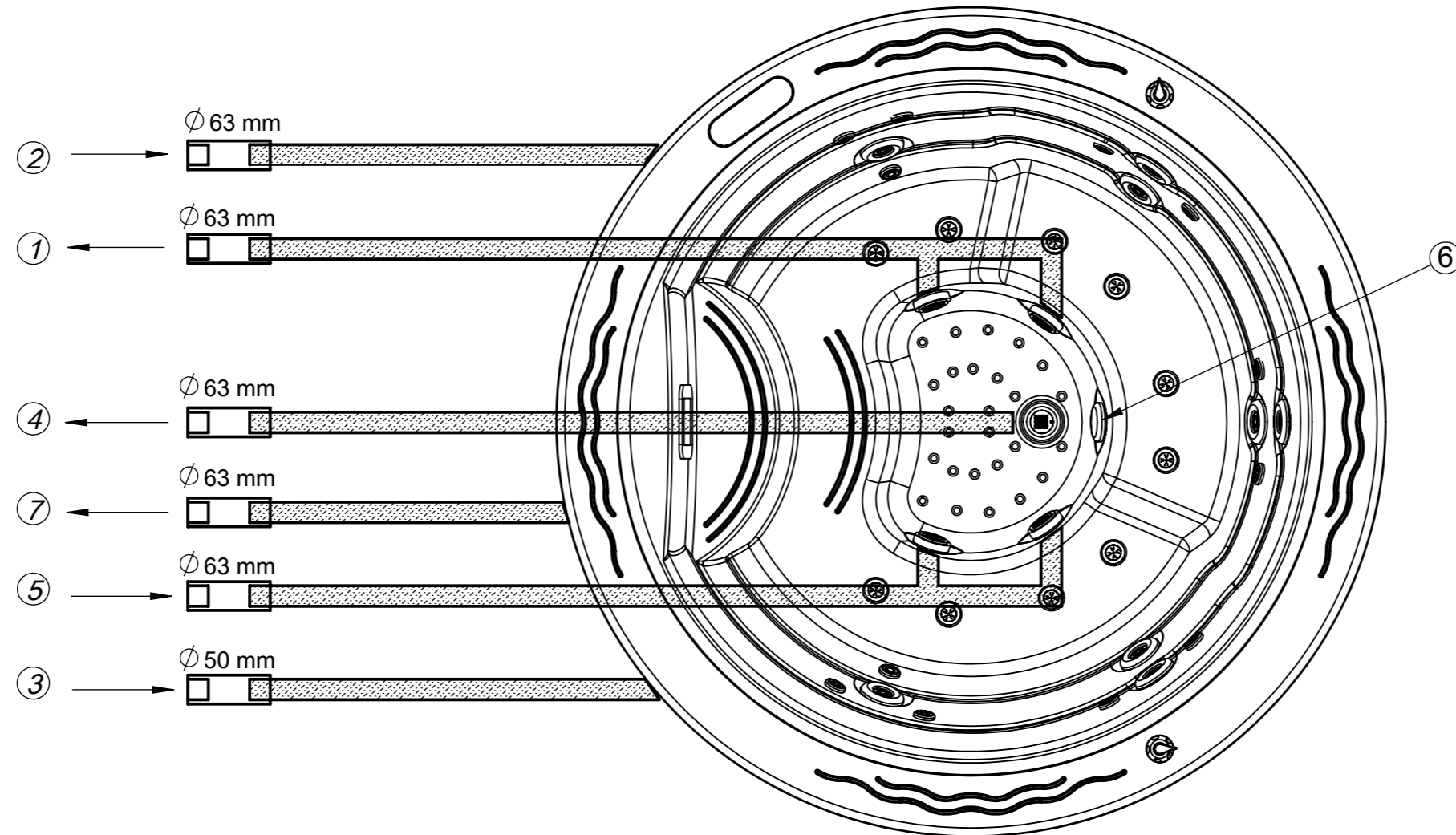
DIMENSIONS IN MM. General tolerancies ±10 mm.

WE RESERVE THE RIGHT TO CHANGE ALL OR PART OF THIS ARTICLE FEATURES



SPA ROUND 2		49859
1	Suction-Water Massage Pump 1	1xØ2" FT
2	Return-Water Massage Pump 1	1xØ2" FT
3	Return-Air Massage	1xØ1.5" FT
4	Suction / Return-Filtration Pump (Bottom Drain)	1xØ2" FT
5	Return-Filtration Pump	1xØ2" FT
6	Light (Halogen)	1 un.
7	Skimmer	1xØ2" FT



FT: BSP Female Thread
 FS: Female solvent Socket



Dimensions in mm.
 Cotas en mm.

 Control Dimensions
 Cotas de control

CC/SC Critical or Significant Characteristics
 CC/SC Características Críticas o Significativas

00	22/12/09	M.Freixes	Drawing creation				
Change No. Cambio Núm.	Date Fecha	Name Nombre	Modification Modificación				
Remarks Observaciones Round 2							
Drawn Dibujado	Date Fecha	Name Nombre	Part Name Nombre	Part Number Número de pieza	Rev No.		
Checked Verificado		I.Nicolas	Connections Detail Drawing	49859	00		
Scale Escala	General Tolerance Tolerancias Generales DIN 7168 ISO 2768g					Material	Surface Coating Acabado Superficial
			Assembled in spa number Montado en número de spa	Drawing type Tipo de plano	Weight Peso (g)	Surface Hardness Shore A	First Angle Projection 
			Property of IBERSPA S.L. Avda. Pla d'Urgell 2-8 25200 Cervera, Spain. Don't use without permission. Keep this information confidential and use it solely for the permitted purpose.				

NUMBER AND DISTRIBUTION OF JETS CAN CHANGE DEPENDING ON THE VERSION

DIMENSIONS IN MM.

WE RESERVE THE RIGHT TO CHANGE ALL OR PART OF THE FEATURES OF THIS ARTICLE