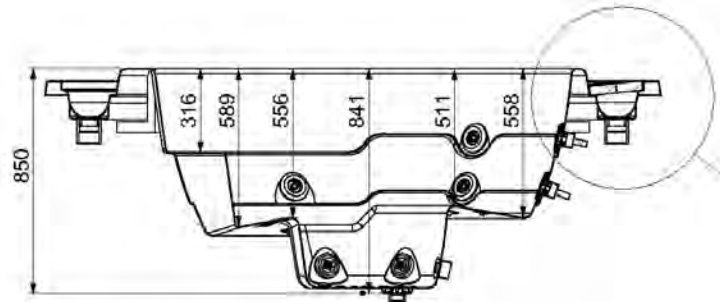
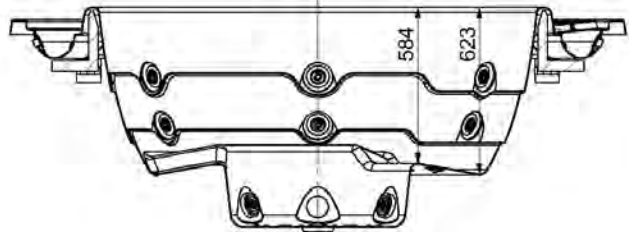


45215 SPA CAPRI

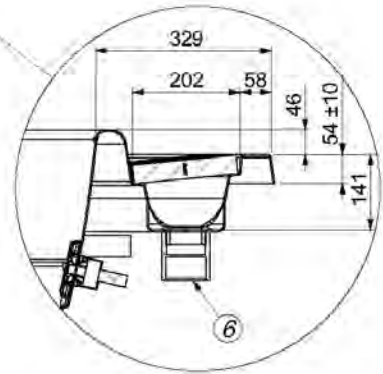
- | |
|---|
| 45215 SPA CAPRI |
| 1 Suctions-Water Massage Pump 1 |
| 2 Jets-Water Massage Pump 1 |
| 3 Air Massage inlets |
| 4 Return Filtration Pump (Bottom Drain) |
| 5 Filtration Pump suction drains |
| 6 Overflow Drains |
| 7 Light (Halogen) |



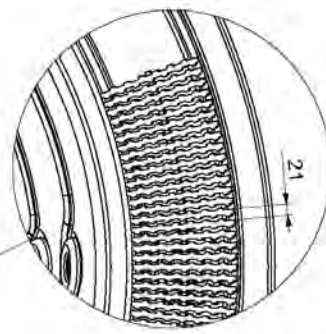
SECTION A A



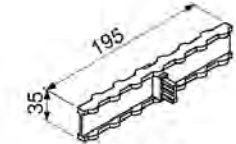
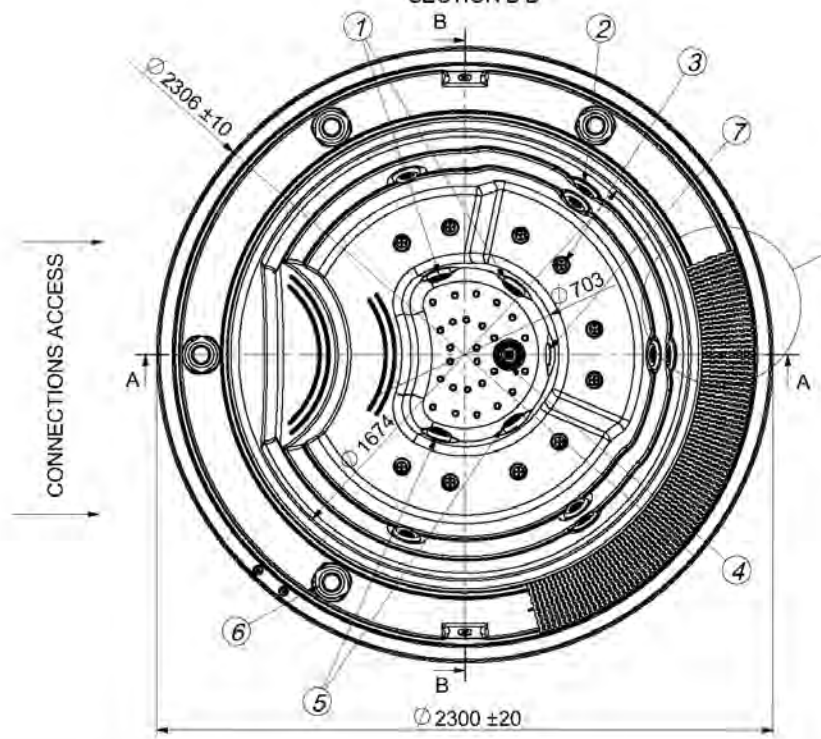
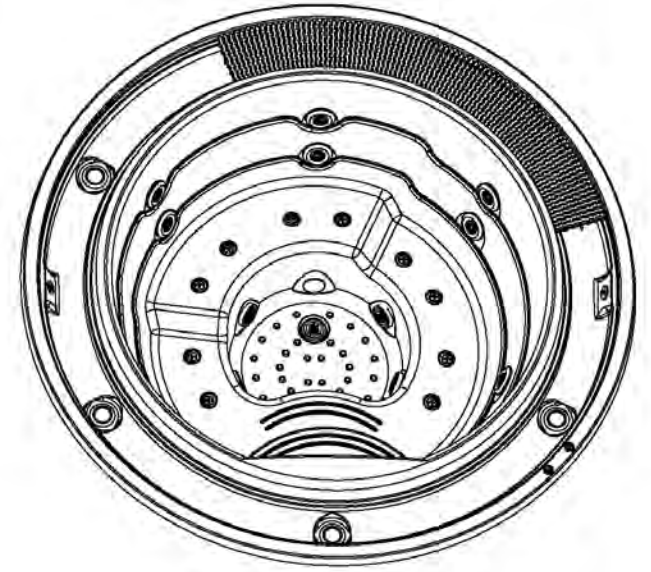
SECTION B B



DETAIL C
SCALE 1:10



DETAIL D
SCALE 1:10



DETAIL GRID
SCALE 1:10

Dimensions in mm.
 Control Dimensions
 CC/SC Critical or Significant Characteristics

03	01/03/10	M.Freixes	Change definitions of numbers
02	29/09/09	M.Freixes	Update to new standards
01	13-08-09	M.Baraut	Buttons added / Incorporación pulsadores
Change No. Cambio Núm.	Date Fecha	Name Nombre	Modification Modificación

Remarks Observaciones					
Drawn Dibujado	Date Fecha	Name Nombre	Part Name Nombre	Part Number Número	Rev No.
Checked Verificado	25-05-09	M.Baraut	Dimensional Drawing	45215SP001	03
Scale Escala	25-05-09	A.Deu		45215SP006	
General Tolerance Tolerancia General DIN 7168 ISO 2768g			Material	Surface Coating Revestido Químico	Color RAL

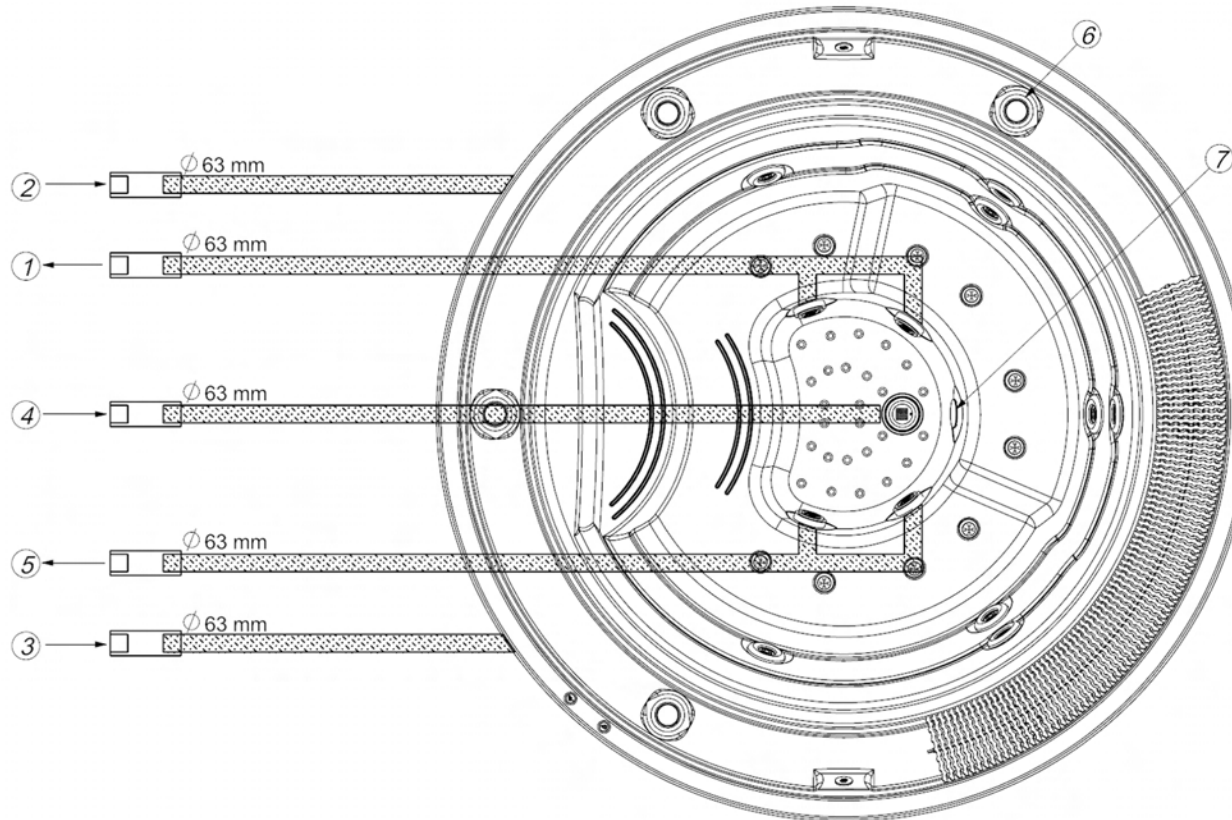
		Article number Número artículo	Drawing type Tipo de plano	Weight Peso (g)	Surface Hardness Dureza Shore A	First Angle Projection
		45215SP001 45215SP006	General Dimensions			

Don't use without permission. Keep this information confidential and use it solely for the intended purpose.

45215 SPA CAPRI

45215 SPA CAPRI		45215
1	Suction-Water Massage Pump 1	1x ϕ 2" FT
2	Return-Water Massage Pump 1	1x ϕ 2" FT
3	Return-Air Massage	1x ϕ 2" FT
4	Return-Filtration Pump (Bottom Drain)	1x ϕ 2" FT
5	Suction-Filtration Pump	1x ϕ 2" FT
6	Overflow Drains	6x ϕ 75 mm FS
7	Light (Halogen)	1 un.



FT: BSP Female Thread
FS: Female solvent Socket



*The distribution of the connections can be changed

04	01/03/10	M.Freixes	Correct flow directions
03	05/02/10	M.Freixes	Change connections 4 and 5
02	29/09/09	M.Freixes	Update to new standards
01	13-08-09	M.Baraut	Buttons added / Incorporación pulsadores
Change No. Cambio Núm.	Date Fecha	Name Nombre	Modification Modificación

Remarks Observaciones

	Date Fecha	Name Nombre	Part Name Nombre	Part Number Número	Rev No.		
Drawn Dibujado	25-05-09	M.Baraut	Connections Detail Drawing	45215SP001 45215SP006	04		
Checked Verificado	25-05-09	A.Deu					
Scale Escala	General Tolerance Tolerancias Generales DIN 7168 ISO 2768g		Material	Surface Coating Acabado Superficial	Color RAL		
			Article number Num. Artículo 45215SP001 45215SP006	Drawing type Tipo de plano Connections Detail	Weight Peso (g)	Surface Hardness Shore A	First Angle Projection 

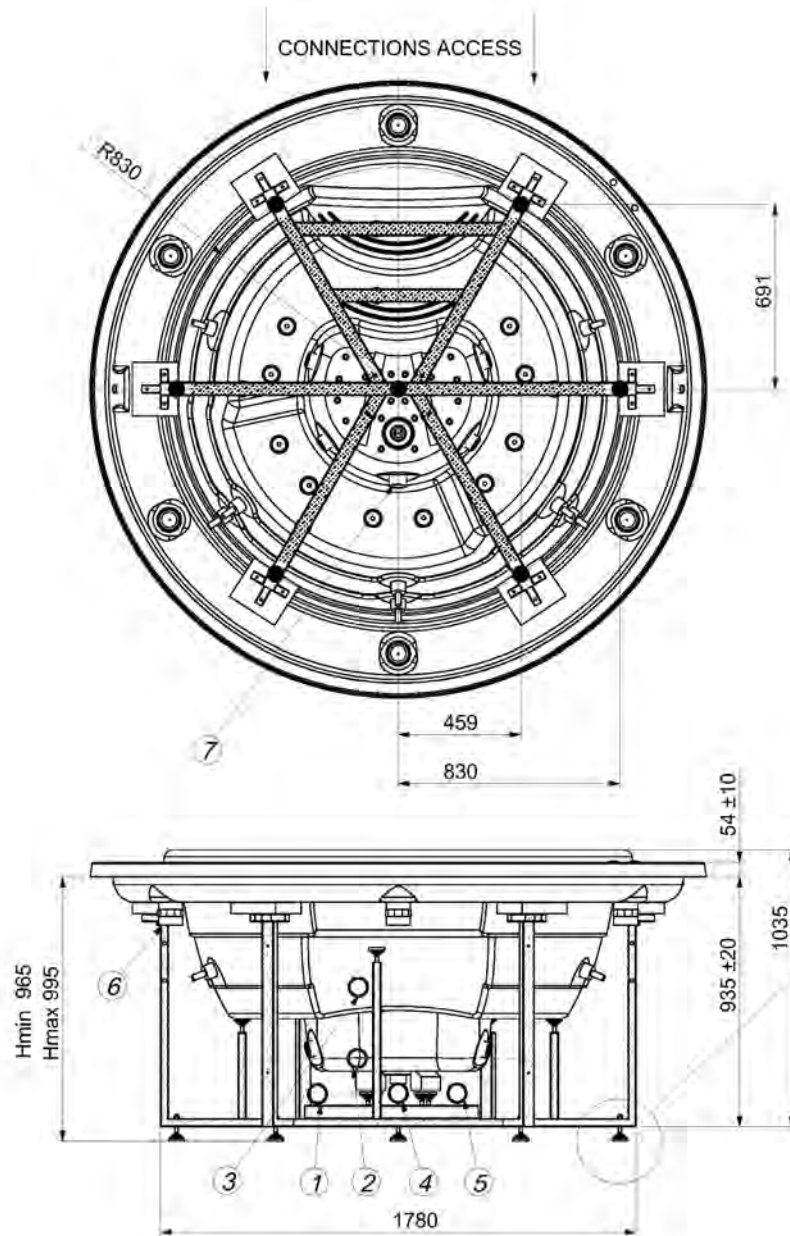
NUMBER AND DISTRIBUTION OF JETS CAN CHANGE DEPENDING ON THE VERSION

DIMENSIONS IN MM.

WE RESERVE THE RIGHT TO CHANGE ALL OR PART OF THE FEATURES OF THIS ARTICLE

Don't use without permission. Keep this information confidential and use it solely for the permitted purpose.

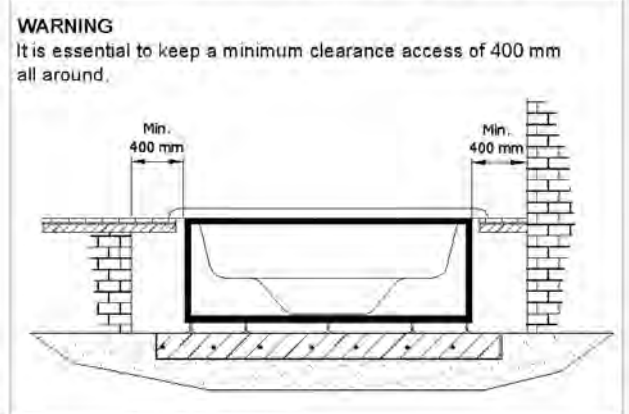
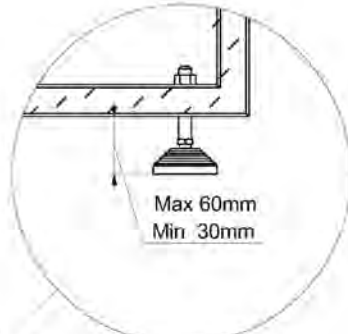
45215 SPA CAPRI



45215 SPA CAPRI	45215
1 Suction-Water Massage Pump 1	1x ∅ 2" FT
2 Return-Water Massage Pump 1	1x ∅ 2" FT
3 Return-Air Massage	1x ∅ 2" FT
4 Return-Filtration Pump (Bottom Drain)	1x ∅ 2" FT
5 Suction-Filtration Pump	1x ∅ 2" FT
6 Overflow Drains	6x ∅ 75 mm FS
7 Light (Halogen)	1 un.

FT: BSP Female Thread
FS: Female solvent Socket

Minimum depth of the spa hole 980 mm.



Change No. / Cambio Núm.	Date / Fecha	Name / Nombre	Modification / Modificación
03	01/03/10	M.Freixes	Update to new standards
02	29/09/09	M.Freixes	Update to new base structure
01	13-08-09	M.Baraut	Structure dimensions / Dimensiones estructura

Remarks / Observaciones:							
Drawn / Dibuja	Date / Fecha	Name / Nombre	Part Name / Nombre	Part Number / Número	Rev No.		
	25-05-09	M.Baraut	Installation Drawing	45215SP001 45215SP006	03		
Checked / Verificado	25-05-09	A.Deu					
Scale / Escala	General Tolerance / Tolerancias Generales 1:20 DIN 7168 ISO 2768g		Material	Surface Coating / Acabado Superficial	Color RAL		
			Article number / Num Artículo 45215SP001 45215SP006	Drawing type / Tipo de plano Installation	Weight / Peso (g)	Surface Hardness / Shore A	First Angle Projection
			<small>Don't use without permission. Keep this information confidential and use it solely for the permitted purpose.</small>				

DIMENSIONS IN MM. General tolerancies - 10 mm.
WE RESERVE THE RIGHT TO CHANGE ALL OR PART OF THIS ARTICLE FEATURES