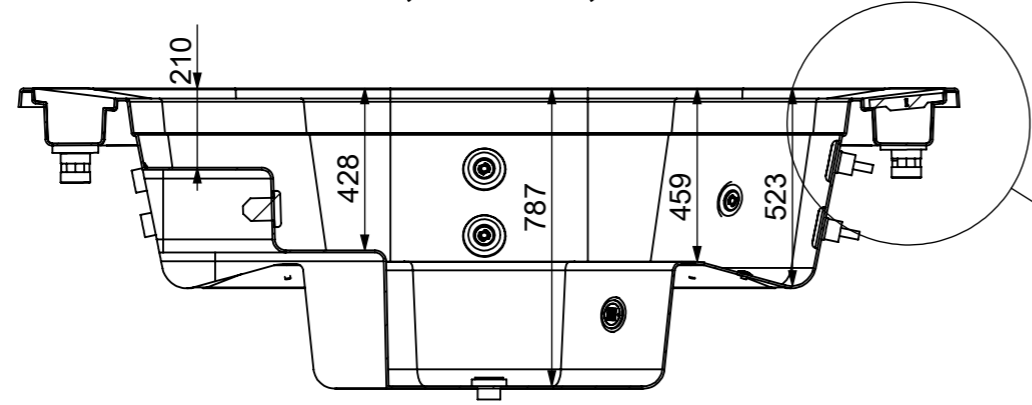
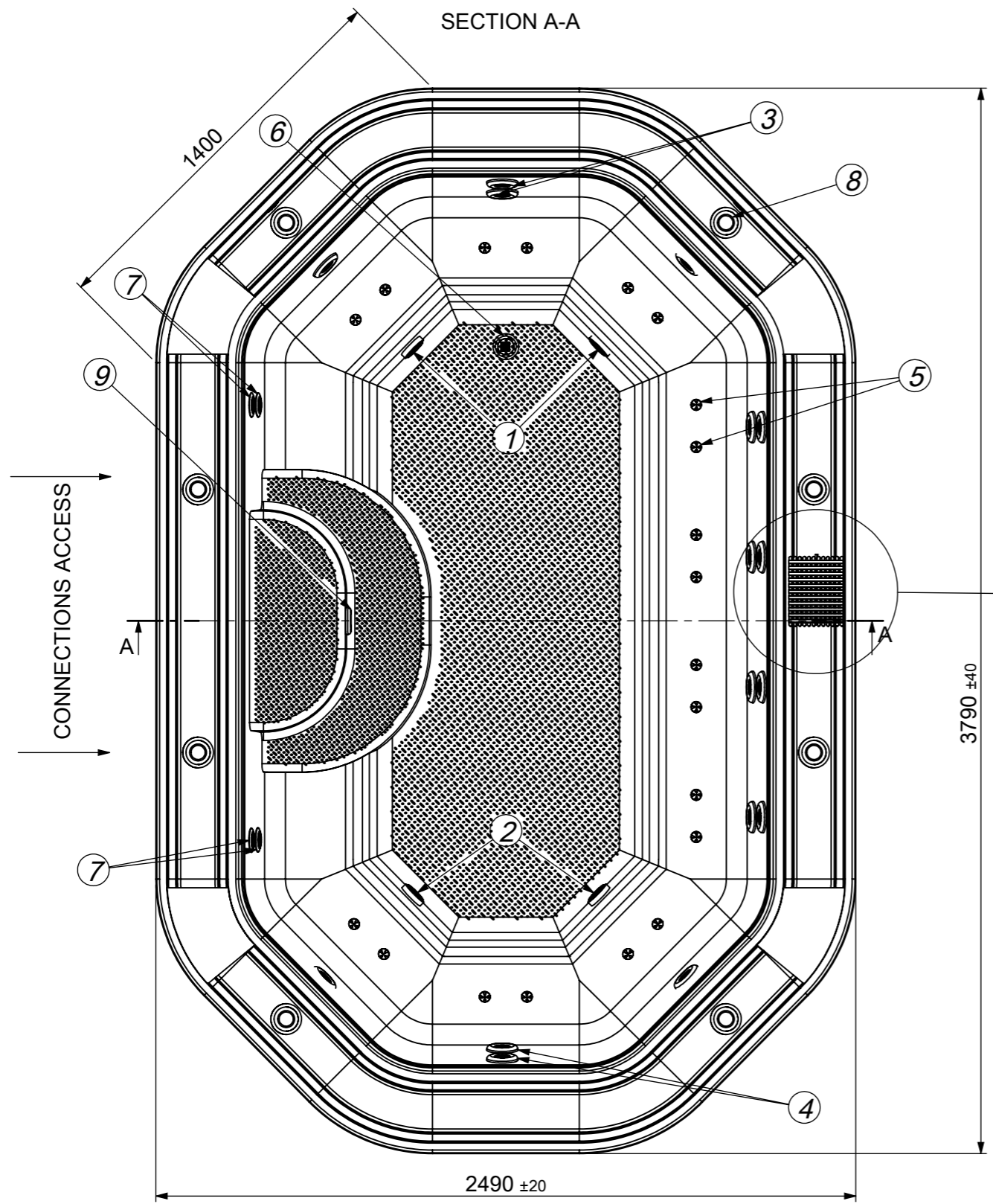


SPA OCTAGON 3,8 x 2,5 m STEPS CENTRED



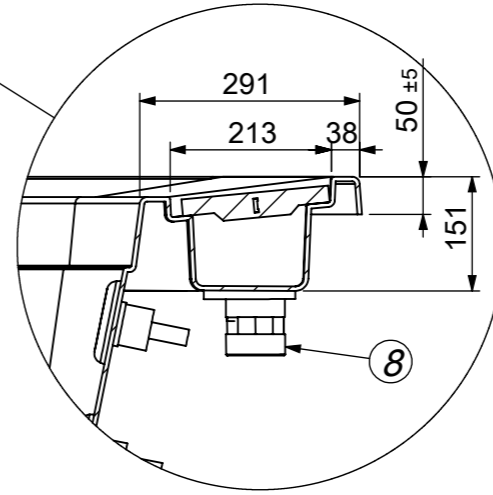
SECTION A-A



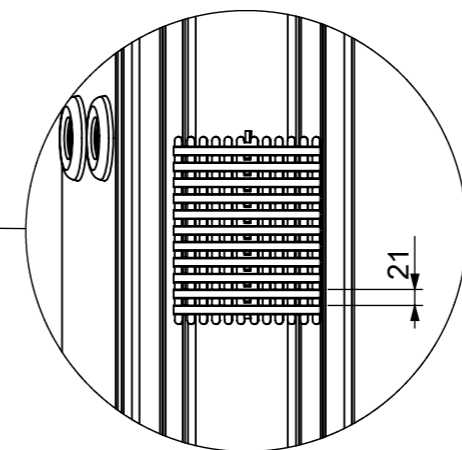
	43598 METRIC	44423 BRITISH STANDARD
1 Suction-Water Massage Pump 1	1x Ø63 mm FS	1x Ø2" FS
2 Suction-Water Massage Pump 2	1x Ø63 mm FS	1x Ø2" FS
3 Return-Water Massage Pump 1	1x Ø63 mm FS	1x Ø2" FS
4 Return-Water Massage Pump 2	1x Ø63 mm FS	1x Ø2" FS
5 Return-Air Massage	1x Ø63 mm FS	1x Ø2" FS
6 Suction/Return-Filtration Pump Bottom Spa	1x Ø63 mm FS	1x Ø2" FS
7 Return-Filtration Pump Inlets	2x Ø63 mm FS	2x Ø2" FS
8 Overflow Drains	8x Ø75mm FS	8x Ø2'5" FS
9 Light (Optional)	Optional	Optional

	Nominal dimensions	Tolerances
Polyurethane thickness	5mm	± 1mm
Straightness deviations		<5mm
Flatness deviations		<5mm
Fiberglass and resin reinforcement	8mm	± 2mm
Acrylic shell thickness	>0.4mm	± 0.2mm

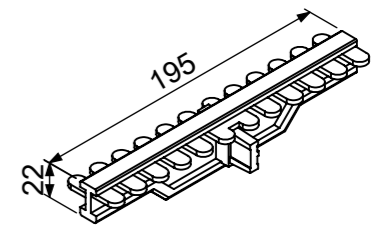
FS: Female Solvent Socket



DETAIL B
SCALE 1:10



DETAIL C
SCALE 1:10



DETAIL GRID
SCALE 1:4

Dimensions in mm.
 Control Dimensions
 CC/SC Critical or Significant Characteristics

01	18/11/09	M.Freixes	Update dimensions		
Change No. <i>Cambio Núm.</i>	Date <i>Fecha</i>	Name <i>Nombre</i>	Modification <i>Modificación</i>		
Remarks <i>Observaciones</i>					
Drawn <i>Dibujado</i>	Date <i>Fecha</i>	Name <i>Nombre</i>	Part Name <i>Nombre</i>	Part Number <i>Número</i>	Rev No.
Checked <i>Verificado</i>	17-03-09	C.García	Dimensional Drawing	43598 / 44423	01
Scale <i>Escala</i>	1:20	A.Deu			
General Tolerance <i>Tolerancias Generales</i> DIN 7168 ISO 2768g			Material	Surface Coating <i>Acabado Superficial</i>	Color RAL
Article number <i>Num. Artículo</i>			Drawing type <i>Tipo de plano</i> General Dimensions	Weight <i>Peso</i> (g)	Surface Hardness <i>Shore A</i>
43598 / 44423					First Angle Projection

Don't use without permission. Keep this information confidential and use it solely for the permitted purpose.